

Technical News Bulletin

October 1998

Quick Change Cartridges 62-3036

Mold equipment standardization and enhanced operation reliability are the main characteristics of the new range of Blow & Blow Process Quick Change Cartridges for the application on SG, DG and the TG 4 1/4 Emhart Quick Change Plunger Mechanisms. The configurable and increased plunger pull allows more flexibility in plunger design for tall finishes.

The features of these new cartridges are:

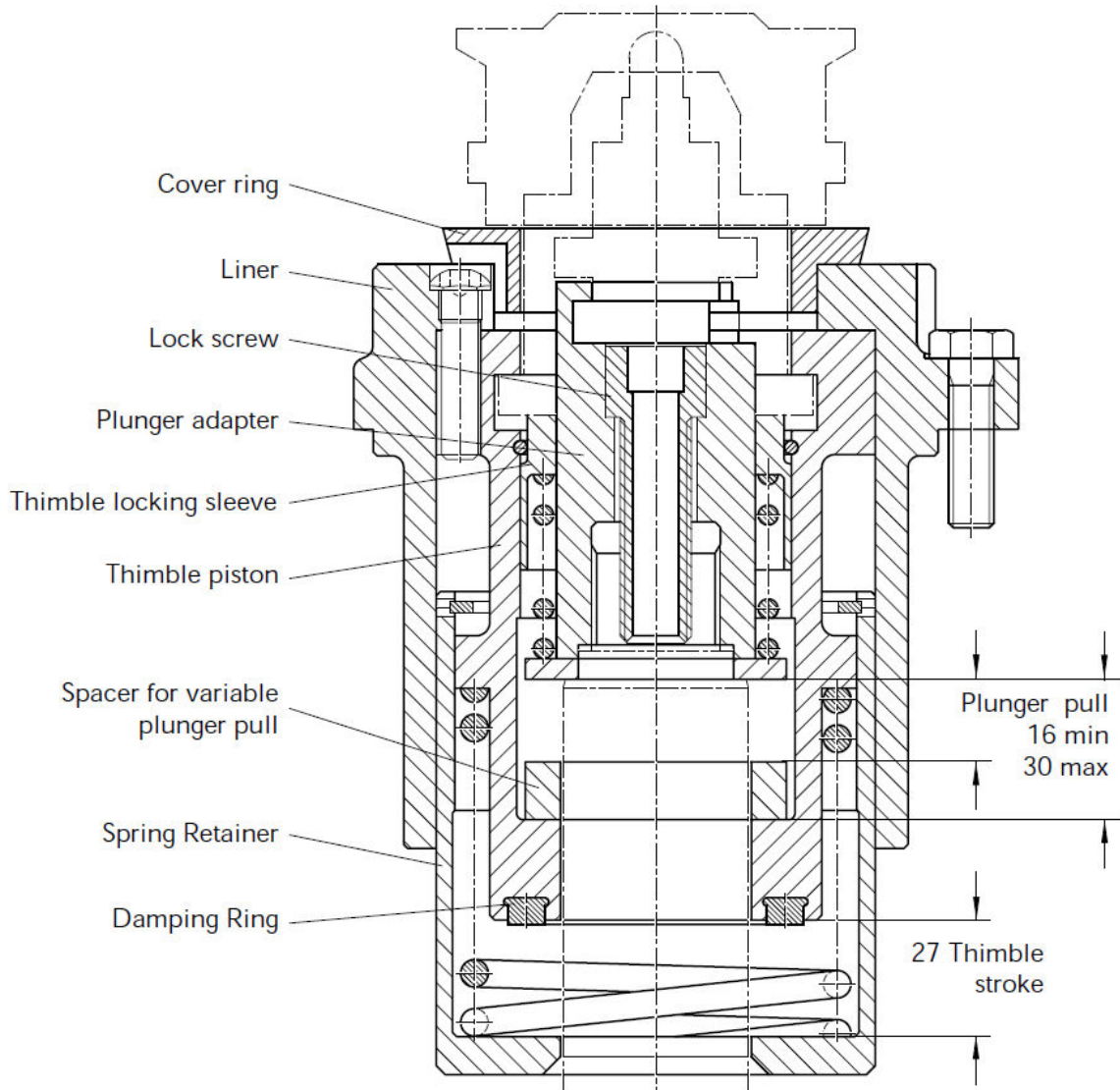
- Self containing unit** - no loose parts remaining in the plunger mechanism after disassembly
- Configurable plunger pull** - spacer ring allows to choose between 16 or 30 mm plunger pull. Improved counterblow with long plungers
- Elastomeric damping ring** - absorbs thimble piston down stroke impact
- Rigid spring retainer** - enhanced operation reliability
- Horse shoe type plunger adapter** - easier plunger mounting and exchange
- Adapter lock screw** - prevents loosening of adapter
- Five assembly groups only for all center distance configurations** - the same basic parts used in all four groups, reduced inventory
- Standardized finish equipment** - reduced mold equipment inventory

Specification / Availability

The new Quick Change Cartridges 62-3036 are designed for the application on Quick Change Plunger Mechanisms of all center distance configurations, excluding TG 3". As of March 1997 they are supplied as a direct replacement for the previous cartridges 62-3051 which will be no longer available as complete units. Spare parts for the previous cartridge, will be available until the end of the year 2001.

New Part No.	Superseded Part No.	Used on Center Distance	Plunger Mech	Adjust. Range ¹⁾	
				Min.	Max.
62-3036-7	62-3051-10	DG 4 1/4	62-3001/11014	79-169	
	62-3051-8	DG 5"	62-3009/11016	79-169	
	62-3051-10	TG 4 1/4	62-3060/11021	79-169	
62-3036-8	62-3051-9	DG 5 1/2	62-3058/11018	65-187	
	62-3051-9	DG 6 1/4	62-3066/11019	65-187	
	62-3051-9	DG 6 1/4 on TG base	62-3072/11020	61-183	
	62-3051-9	SG 5 1/2	62-3087	79-205	
62-3036-9	62-3051-10	SG 4 1/4	62-3070	106-198	
	62-3051-10	SG 5"	62-3094	106-198	
62-3036-10	62-3051-10 ²⁾	SG 4 1/4	62-3070	66-162	
	62-3051-10 ²⁾	SG 5"	62-3094	66-162	
62-3036-11	62-3051-11	SG 4 1/4	62-3071/11013	74-153	
		SG 5"	62-3095/11015	74-153	
		SG 5 1/2	62-3088/11017	62-184	

- 1) The adjustment ranges given from mold design invert centerline to top of cartridges are not necessarily mold design limits.
- 2) With spacers 62-6114 and 62-6115



**Quick Change Cartridge 62-3036
Group 8 shown**

Mold Equipment

The mold equipment used with the new cartridges is the same as used with the previous cartridges 62-3051 and the type 62-170 cartridge. Refer to the following mold design manuals and data sheets.

Publication No.	Data Sheet No.	
DG 4 1/4	ZG 384/0294E	IS-425-2-410 through 415
DG 5"	ZG 168/1093E	IS-500-2-410 through 415
DG 6 1/4	HB1079/PG0198E	IS-625-2-410 through 415
DG 6 1/4-AIS	HB1080/PG0198E	AIS-625-2-410 through 415
TG 4 1/4-AIS	ZH 332/1190E	191-25229 through 25240