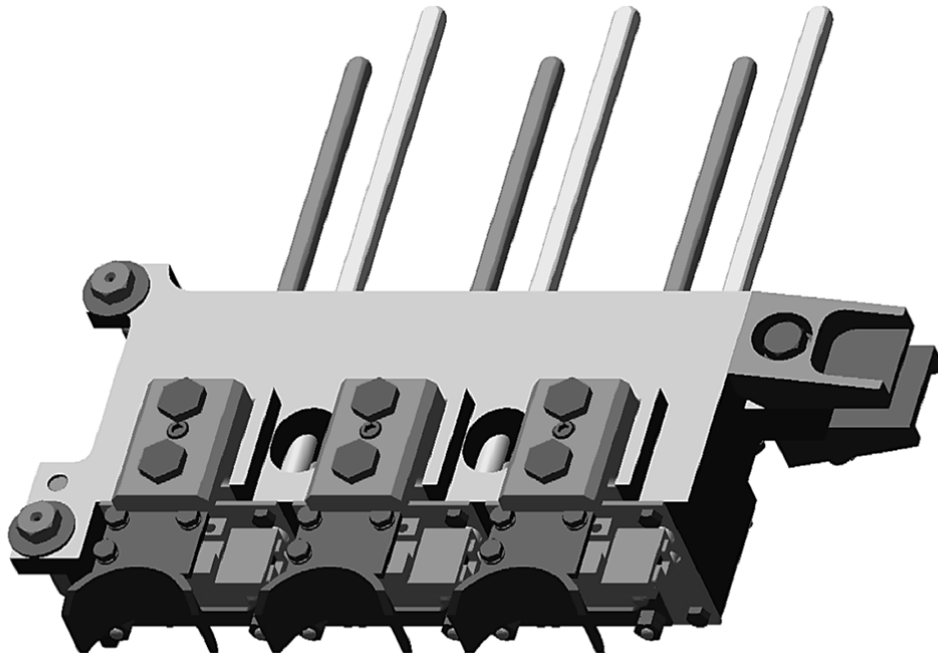


Technical News Bulletin

Cham, May 2015

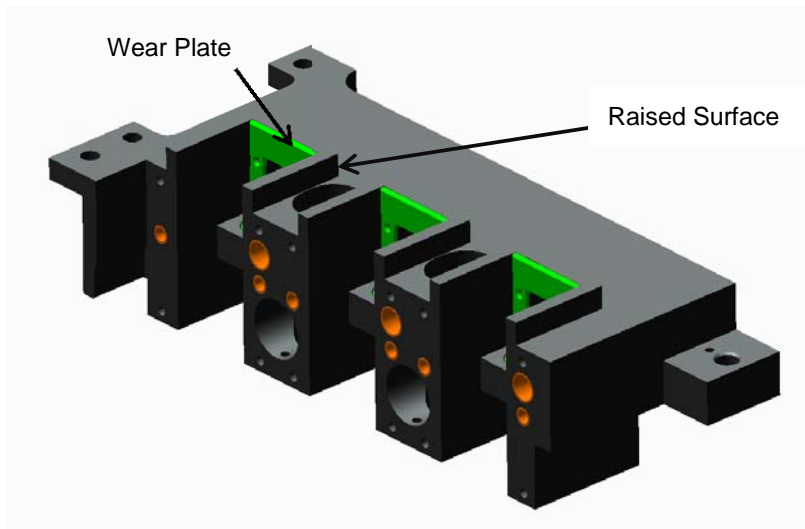
Type II Shear Tension Arm and Drop Guide 565-205

The Tension Arm and Drop Guide assembly contains most of the moving components on the shear mechanism. With the ever increasing cut rates required for additional sections and increased production speed the service life of the components is causing problems for many of our customers. The improved version of the unit shows little change in the external appearance to ensure full compatibility with the original assemblies. Many of the components have been revised in the form of material and dimensional change to give greater stability of the drop guides and a more rigid platform for the shear blades. These changes improve service life ensuring reduced shear blade wear and shearing defects.

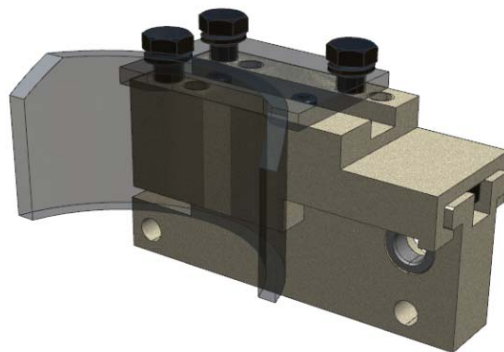


Triple Gob 3" Center Distance, Ref. 565-205-1

The Tension Arm unit has the area around the blade holder raised to give an additional bearing surface for the shear blade holder. This surface is further protected with a 2mm hardened stainless steel wear plate. All bushings for the drop guide slider and the adjusting shafts are all nitride hardened steel.



The Drop Guide assemblies 565-206-1 /2 /3 are a complete rework of the previous units and all components have been changed. The interfaces however remain the same at the tension arm and the original drop guides can also be used. The changes are to ensure that unwanted movement (wobble) of the drop guides is kept to minimum during operation of the shear mechanism.



Availability

Tension Arm and Drop Guide Assemblies

Original Part Number	Replacement Part Number	Description
565-44-1	565-205-1	Triple Gob 3"
565-44-2	565-205-2	Single Gob
565-42-1	565-205-3	Double Gob 4 3/8"
565-42-2	565-205-4	Double Gob 5"
565-42-3	565-205-8	Double Gob 3"
565-159-1	565-205-5	Double Gob 4 3/8", Wide Body
565-137-1	565-205-6	Triple Gob 4 3/8", Wide Body
565-166-1	565-205-7	Quad Gob 3", Wide Body
The following new assemblies have been made available to enable shearing 12.7mm closer to the orifice ring, than the standard assemblies.		
	565-205-9	3" Triple Gob
565-166-2	565-205-10	3" Quad Gob 1/2" Raised Cutting Plane
Further assemblies for increased height shearing will be made available as required		

The 565-205 ranges of tension arm and drop guide assemblies are completely interchangeable with the units currently in circulation. Most of the parts however have changed in order to improve the unit. Parts for the previous units will be available for some time. The main housings will not be available from January 2015.

The following Drop Guide Slider assemblies are being introduced to replace existing assemblies. The assemblies listed under Original part number will be substituted for all supplies after January 2015.

Replacement Drop Guide Slider Assemblies for original Tension Arm units

Original Part Number	Replacement Part Number	Description
565-91-1	565-206-5	TG 3", Single Gob & TG 4 3/8"
565-92-2	565-206-6	Double Gob 4 3/8" & 5"